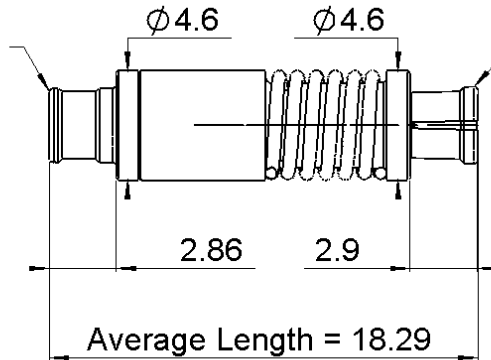


**FEMALE FEMALE ADAPTOR**  
**SPRING LOADED**

**R222.723.120**

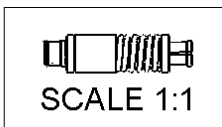
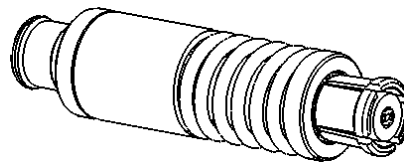
Series : SMP

Unslotted side :  
To be mated to  
SMOOTH BORE  
only

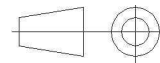


Slotted side :  
To be mated to  
FULL or  
LIMITED DETENT

- 1 - Pre-load - No compression  
Overall length L = 18.92 mm  
Pre-load = 9 N mini
- 2 - Maximum Compression = 1.27 mm  
Overall length L = 17.65 mm  
Load = 13.6 N max



All dimensions are in mm.



COMPONENTS	MATERIALS	PLATING (µm)
BODY	BRONZE	NPGR
CENTER CONTACT	BERYLLIUM COPPER	GOLD 1.27 OVER NICKEL 1.27
OUTER CONTACT	BERYLLIUM COPPER	GOLD 1.3 OVER NICKEL 2
INSULATOR	PTFE + PEI	
GASKET	-	PASSIVATION
SPRING	STAINLESS STEEL	-
-	-	-
-	-	-

Issue : 1020 A

In the effort to improve our products, we reserve the right to make changes judged to be necessary.



**FEMALE FEMALE ADAPTOR**  
**SPRING LOADED**

**R222.723.120**

Series : SMP

**PACKAGING**

**SPECIFICATION**

Standard	Unit	Other
<b>100</b>	<b>'W' option</b>	<b>Contact us</b>

**ELECTRICAL CHARACTERISTICS**

**ENVIRONMENTAL**

Impedance	<b>50</b>	$\Omega$
Frequency	<b>0-18</b>	GHz
VSWR	<b>1.35* + 0,0000</b>	x F(GHz) Maxi
Insertion loss	<b>0.12</b>	$\sqrt{F}(\text{GHz})$ dB Maxi
RF leakage	- ( <b>NA</b> )	- F(GHz)) dB Maxi
Voltage rating	<b>335</b>	Veff Maxi
Dielectric withstanding voltage	<b>500</b>	Veff mini
Insulation resistance	<b>5000</b>	M $\Omega$ mini

Operating temperature	<b>-65/+85</b>	$^{\circ}$ C
Hermetic seal	<b>NA</b>	Atm.cm3/s
Panel leakage	<b>NA</b>	

**OTHER CHARACTERISTICS**

Assembly instruction

Others :

\* VSWR : 1.2Max at 12GHz

**MECHANICAL CHARACTERISTICS**

Center contact retention		
Axial force – Mating end	<b>6.7</b>	N mini
Axial force – Opposite end	<b>6.7</b>	N mini
Torque	<b>NA</b>	N.cm mini
Recommended torque		
Mating	<b>NA</b>	N.cm
Panel nut	<b>NA</b>	N.cm
Mating life	<b>1000</b>	Cycles mini
Weight	<b>1,3000</b>	g

Issue : 1020 A

In the effort to improve our products, we reserve the right to make changes judged to be necessary.

**RADIALL** 